



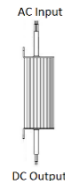
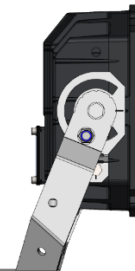
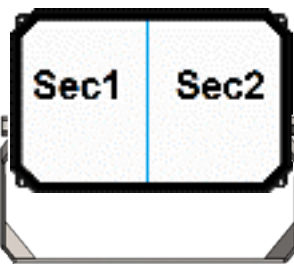
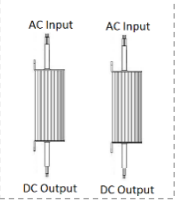
BLX Bowlight - Installation Guide

The BLX Bowlight series is created to push limits and maximize the potential in LED technology, optical solution and durability. The BLX series are designed to last with sealed and solid housings and robust electronics.

To meet performance expectations, it is important to observe that the BLX Bowlight is mounted and pointed as advised, since the light beam is optimized for specific use and operation.

It has a build in automatic temperature protection, which will ensure the total lifetime. If it is operated under higher ambient temperature (>30°C) and with limited airflow, the light output may be reduced due to the automatic temperature protection. Therefore, free air around the BLX is needed.

Series Overview

<p style="text-align: center;">C 24V 250W (110/230VAC with external optional PSU)</p> <p style="text-align: center;">Side view Front view</p> <div style="display: flex; justify-content: space-around;">   </div> <p style="text-align: center;">External PSU:</p> <div style="border: 1px dashed gray; padding: 5px; width: fit-content; margin: auto;"> <p style="text-align: center;">Optional</p>  <p style="text-align: center;">AC Input</p> <p style="text-align: center;">DC Output</p> </div>	<p style="text-align: center;">D 24V 2x 250W (110/230VAC with external optional PSU)</p> <p style="text-align: center;">Side view Front view</p> <div style="display: flex; justify-content: space-around;">   </div> <p style="text-align: center;">External PSU:</p> <div style="border: 1px dashed gray; padding: 5px; width: fit-content; margin: auto;"> <p style="text-align: center;">Optional</p>  <p style="text-align: center;">AC Input AC Input</p> <p style="text-align: center;">DC Output DC Output</p> </div> <p style="text-align: center;">Each section is controlled separately</p>																
<p><u>Models:</u></p> <table style="width: 100%; border-collapse: collapse;"> <tr> <td style="width: 30%;">Sec1: Spot 8 and Oval H</td> <td style="width: 70%;">L0333-1</td> </tr> <tr> <td>Sec1: Spot 8</td> <td>L0333-2</td> </tr> <tr> <td>Sec1: Oval H</td> <td>L0333-3</td> </tr> <tr> <td>Optional external AC PSU</td> <td>1x S0117</td> </tr> </table>	Sec1: Spot 8 and Oval H	L0333-1	Sec1: Spot 8	L0333-2	Sec1: Oval H	L0333-3	Optional external AC PSU	1x S0117	<table style="width: 100%; border-collapse: collapse;"> <tr> <td style="width: 30%;">Sec1:Spot 8 Sec2:Oval H</td> <td style="width: 70%;">L0334-1</td> </tr> <tr> <td>Sec1:Spot 8 Sec2:Spot 8</td> <td>L0334-2</td> </tr> <tr> <td>Sec1:Oval H Sec2:Oval H</td> <td>L0334-3</td> </tr> <tr> <td>Optional External AC PSU</td> <td>2x S0117</td> </tr> </table>	Sec1: Spot 8 Sec2: Oval H	L0334-1	Sec1: Spot 8 Sec2: Spot 8	L0334-2	Sec1: Oval H Sec2: Oval H	L0334-3	Optional External AC PSU	2x S0117
Sec1: Spot 8 and Oval H	L0333-1																
Sec1: Spot 8	L0333-2																
Sec1: Oval H	L0333-3																
Optional external AC PSU	1x S0117																
Sec1: Spot 8 Sec2: Oval H	L0334-1																
Sec1: Spot 8 Sec2: Spot 8	L0334-2																
Sec1: Oval H Sec2: Oval H	L0334-3																
Optional External AC PSU	2x S0117																

More information regarding the external PSU is found on page 5

Content

- Fully assembled BLX Bowlight
- Optional external VAC power supply
- Installation guide
- Recyclable cardboard

Required tools

- Umbraco 4mm
- Electrician's screwdriver (slot)
- 2x 17mm combination spanners
- 24mm combination spanner
- Wire stripper



OPTICAL RADIATION
Do not stare at operating lamp.
May be harmful to the eyes.

The BLX Bowlight shall only be installed in a professional and legal manner by qualified personal. Warranty will be voided if replaced cable glands / blind caps are not UV and weather resistant, -40°C to 80°C . It is the installer's responsibility to ensure that cable and cable glands are appropriate for each other. The BLX should be opened or dismantled by Luminell personnel only.

DIM control

For most applications it is essential to control the light intensity of the BLX Bowlight. Each section can be controlled/dimmed either by a 0–10 VDC voltage controller, or by resistance $<50\text{ k}\Omega$. The resistance needs to be reduced if more sections or Bowlights are controlled together, see table beneath. When using a 0-10V control signal and connecting more sections together, 10V will always correspond to 100% light intensity. To ensure the optimal control, the optional "Luminell control panel (L0374)" can also be used.

DIM control connection using resistance/potentiometer:

No. of sections parallel connected	1x	2x	4x	6x	If the Dim control is not connected or used, the light output will be 100% by default.
Max resistance for 100%	$>50\text{ k}\Omega$	$>25\text{ k}\Omega$	$>15\text{ k}\Omega$	$>6\text{ k}\Omega$	

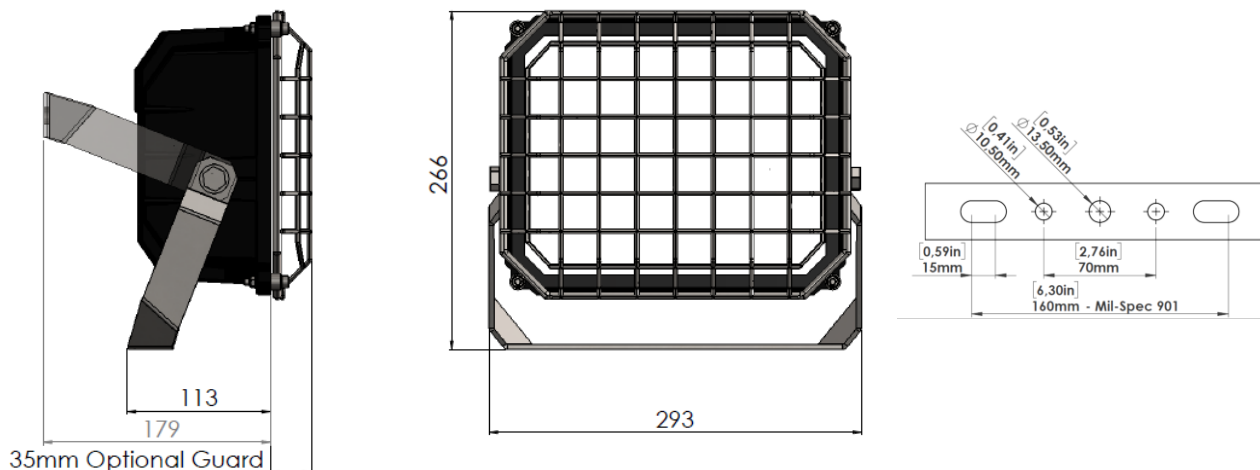


*L0374 Control Panel
(Optional accessory)*

BLX Bowlight C 24V

Dimensions (in mm.)

For detailed drawing see BLX C general drawing.pdf

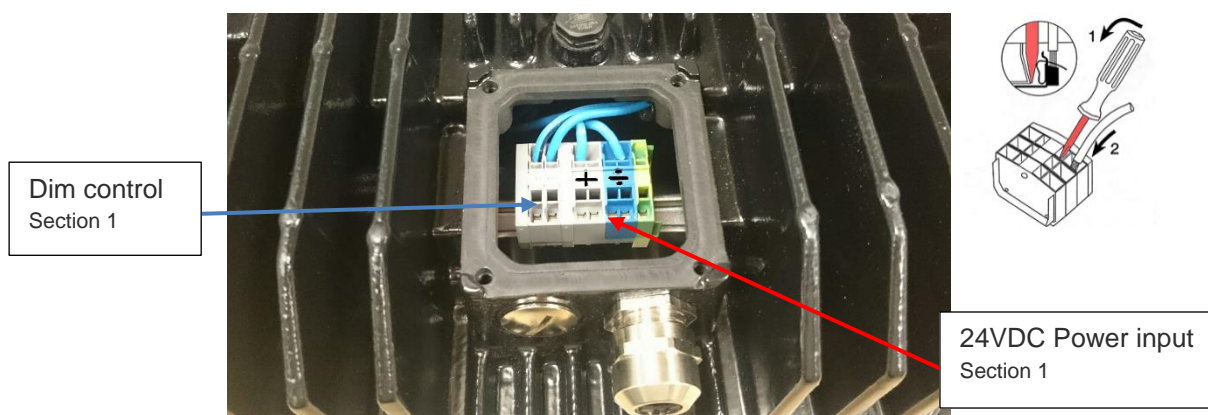


CAUTION!
Crush hazard! Be aware of moving parts when lifting and mounting the floodlight.

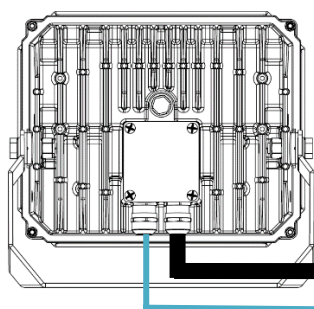
Wiring

Cable glands: 1x M20x1,5 with cable dimension Ø6-13mm, and 1x M20x1,5 blind cap.

Spring terminal conductor size: Multi core, AWG 24-14 / 0,25-2,5 mm²



Diagram



1x 10,5A @24VDC to power source

Cable suggestion: 2x 2,5mm² cable for main supply power (<15m if 24v is the power source voltage).

For AC installations an external AC to DC power supply is needed. If this PSU is supplied with a DIM or control function, then this should not be used because the best DIM control is achieved through the Bowlight directly.

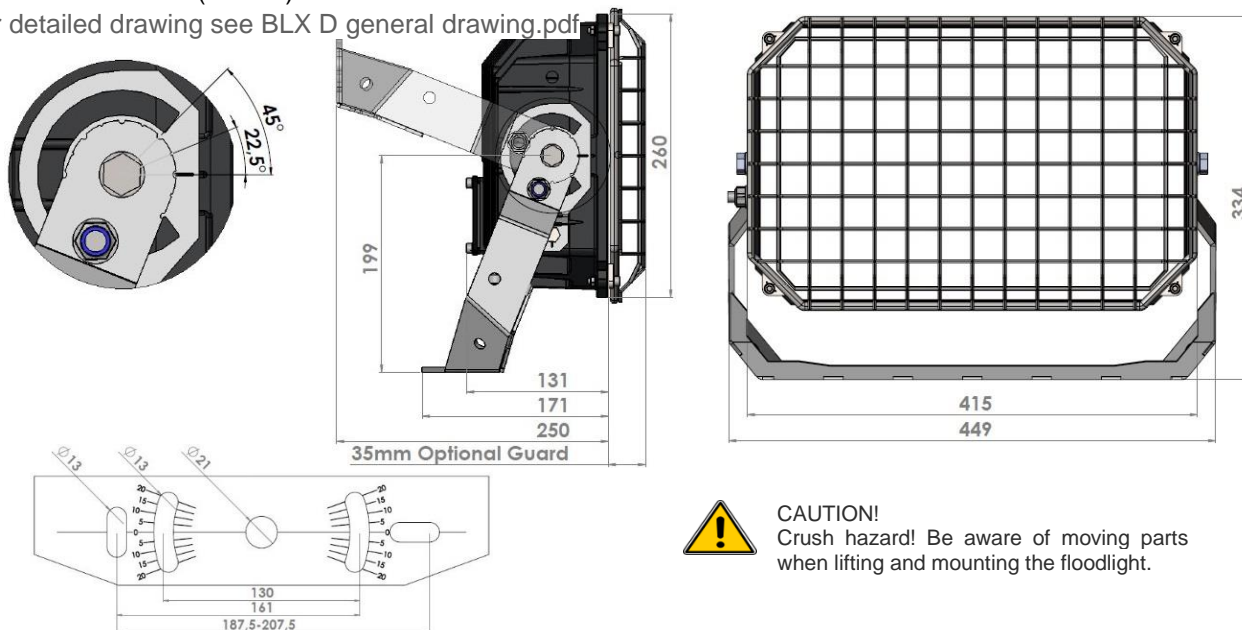
To DIM control, see page 2

Cable suggestion: 2x <1mm² cable for control signal

BLX Bowlight D 24V

Dimensions (in mm.)

For detailed drawing see BLX D general drawing.pdf

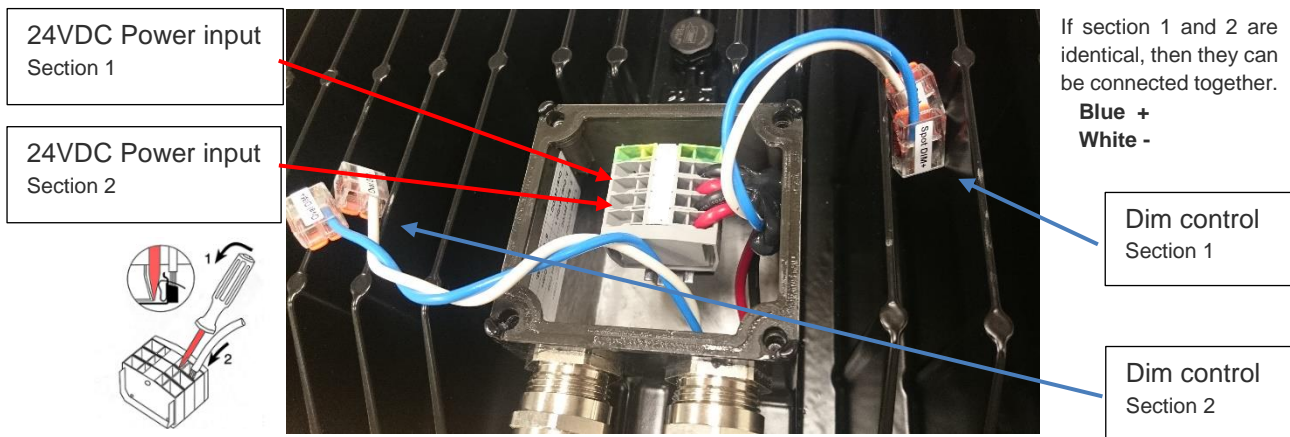


CAUTION!
Crush hazard! Be aware of moving parts when lifting and mounting the floodlight.

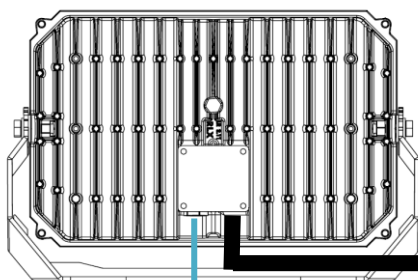
Wiring

Cable gland: 2x M20x1,5 with cable dimension Ø6-13mm

Spring terminal conductor size: Multi core, AWG 24-14 / 0,25-2,5 mm²



Diagram



2x 10,5A @24VDC to power source

Cable suggestion: 4x 2,5mm² cable for main supply power (<15m if 24VDC is the power source voltage).

For AC installations 2x external AC to DC power supply is needed. If these are supplied with a DIM or control function, then this should not be used, because the best DIM control is achieved through the Bowlight directly.

To DIM control, see page 2

Cable suggestion: 4x <1mm² cable for control signal

EXTERNAL PSU FOR BLX BOWLIGHT C AND D

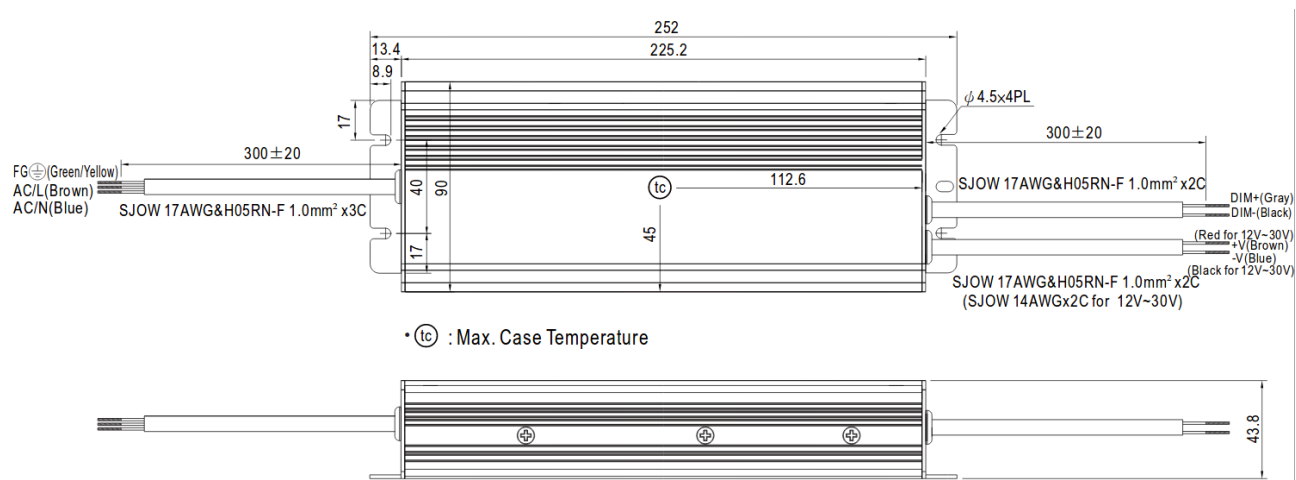
The BLX Bowlight C and D are 24VDC products, but can be delivered with an optional external 230VAC/24VDC power supply.

Input: 100-277VAC

Output: 24 VDC 13A

Weight: 2 kg

Below are layout dimensions of the external PSU. Note that the separate DIM control cable shall NOT be used, but isolated. Dim control is achieved through wires in the Bowlight connection box as described in the previous pages.



Dimensions in millimeter