

L0433 Oil Damper Installation Guide

Box contents

L0433:

Qty.	No.	Component	Description	Placement
1x	S0094	Oil Damper 80520041	0° ± 135° (total 270°) rotation damper	
1x	L0435	Single tilting Profile	L-profile bracket	In box
1x	S0045	M12 DIN 985 ISO 7040 A4	Lock nut with nylon insert	Zip-Lock bag 1
1x	S0102	13 DIN 125 ISO 7089 A4	Flat washer	Zip-Lock bag 1
1x	L0327	Damper Installation Guide		This document

Description

This is a rotary damper designed to fix the angle of the floodlight relative to gravity. It can be used, for example on cranes to ensure that the floodlight is pointing where you want, no matter the angle of the crane boom.

The damper has a rotation limit of 0° ± 135° (270° total) where it prohibits the floodlight from dangling due to movement.

Weight will affect the damping of the rotation.

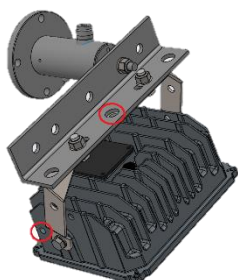
Fasteners are included.



WARNING!

Crushing hazard: Due to the nature of this product, uncontrolled rotation while handling, installing and servicing may occur.

Shall be installed by a qualified personal only.



Fall safety wire (L0427):

Holes for fall safety wire on the tilting profile, bracket and floodlight is highlighted on the illustration to the left.

Technical Information

Operating ambient temperature (Ta)

- 40°C to + 55°C

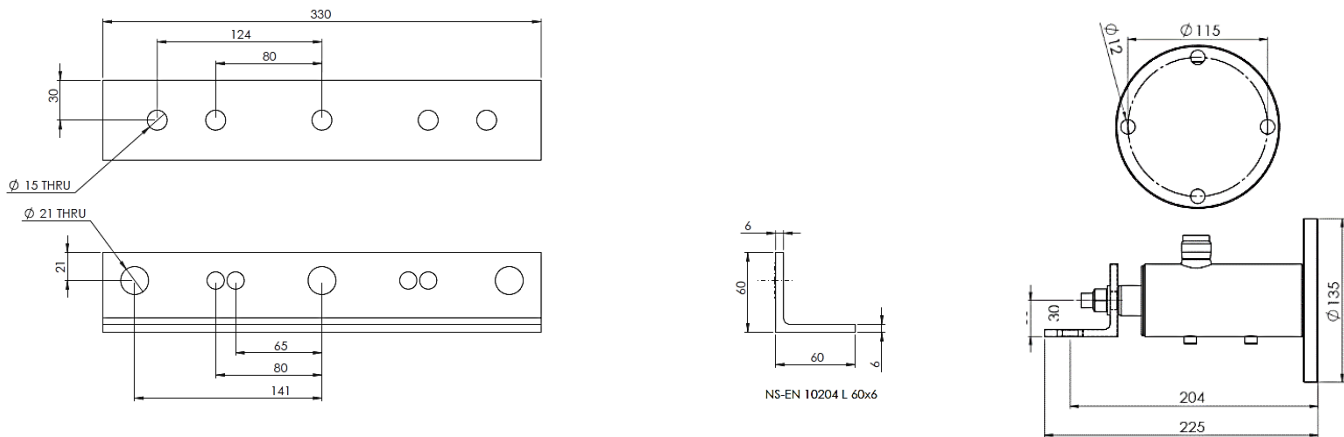
Weight

6kg (damper, tilting profile and fasteners)

Material

Tilting profile: Stainless steel A4 fasteners

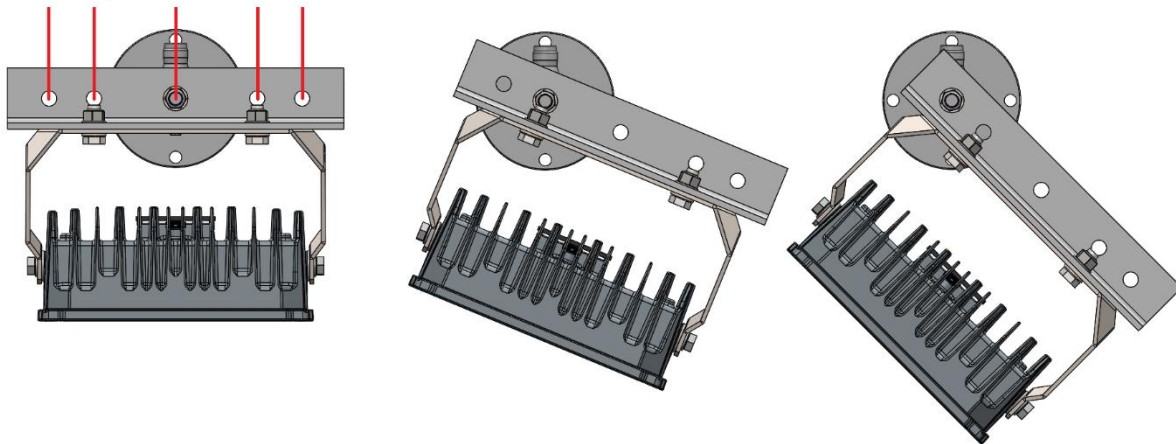
Damper: Painted steel and stainless steel



Installation

- Choose the correct angle of the floodlight.
- Fasten the floodlight to the tilting profile.

Angles of floodlight
+45° +22,5° 0° -22,5° -45°



1x RLX C
1x RLX D
1x RLX E

