

RLX™ Dx Zone 2/21

FLOODLIGHT

RLX DxZ2.21 240WAC1D 5K

1002746	RLX DxZ2.21 Floodlight 240WAC1D SB15 5K 2x10-18 3HEAABK
1002747	RLX DxZ2.21 Floodlight 240WAC1D MB40 5K 2x10-18 3HEAABK
1002748	RLX DxZ2.21 Floodlight 240WAC1D MB60 5K 2x10-18 3HEAABK
1002749	RLX DxZ2.21 Floodlight 240WAC1D 60x40 5K 2x10-18 3HEBABK
1002750	RLX DxZ2.21 Floodlight 240WAC1D Wide 5K 2x10-18 3HEBABK
1002751	RLX DxZ2.21 Floodlight 240WAC1D OBH 5K 2x10-18 3HEBABK



Figure 1 – Picture may differ from actual product

Electrical specifications

Input voltage range	100–277 VAC, 100–300 VDC
Frequency range	50–60Hz
Rated power	240 W
Power factor @ 230 VAC	$\cos \phi < 0,98$
Current @ 230 VAC	1,04A
Leakage current	0,5mA RMS @ 230VAC 50Hz
Recommended fuse	MCB16 type C for up to 10 floodlights connected in parallel
Dim control interface	(0-100%) 0-100kW, 4-20mA or 0-10VDC
Terminal dimensions	Mains: 0,2-6mm ² , Grounds: 0,2-16mm ² , Dim and batteries: 0,08-2,5mm ²

Light specifications

Initial luminous flux@ Ta 25°C	30.684lm
Lumen per watt	128
100% light output	Ta < 55°C
Color rendering index (CRI)	> 70
Color temperature	5.000K (3.000K on request)
Beam angles (degrees)	Spot 15, Medium 40, Medium 60, Medium 60x40, Wide 80x60, Oval 45x15 (see Standard beam alternatives)

Ex and Environmental

Operating ambient temperature (Ta)	-55°C to +55°C
Storage temperature	-55°C to +80°C
Markings	Zone 2, 21, 22
ATEX classification	CE 2804 Ex II 3G II 2D Quality management system issued by Ex Veritas. NB No. 2804 CML 16ATEX3108 issued by Certification Management Limited. NB No. 2776 CML 20ATEX4042 issued by Certification Management Limited. NB No. 2776
IEC classification gas	Ex ec mc IIC T4 Gc
IEC classification dust	Ex tb IIIC T135°C Db

General specifications

Startup time	1 sec.
Weight (apx.)	15,2kg
Cable gland	2xM25 (10-18mm)
Blind caps	2xM20
IP class	IP 66/67
Predicted lifetime @ Ta 25°C	>320k hours
Predicted lifetime @ Ta 45°C	>100k hours
Corrosion class	C5m ISO 9223/12944 (for offshore and maritime environments)

Materials

Body / casing / chassis	Seawater resistant; casted, anodized and powder coated aluminium
Glass	Tempered glass (polycarbonate on request)
Bracket, bolts, nuts, etc.	Stainless steel AISI 316L (1.4404), A4

Other compliances

Low Voltage Directive (LVD) 014/35/EU	EN 62031:2008/A1:2013/A2:2015 – LED Modules for general lighting
Photobiological safety	EN 62471:2008 – Photobiological safety of lamps and lamp systems
EMC and immunity	EN 55015:2013 – Radiated and conducted emissions EN 60945:2002 – Marine Equipment. EMC Immunity, Radiated and Conducted Emissions MIL-STD461F CE101, CE102 and RE102 - Navy Top Deck MIL-STD461F CE101, CE102 and RE102 - Navy Mobile & Army

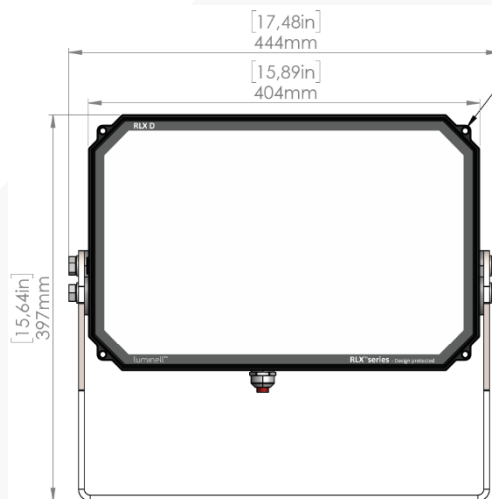
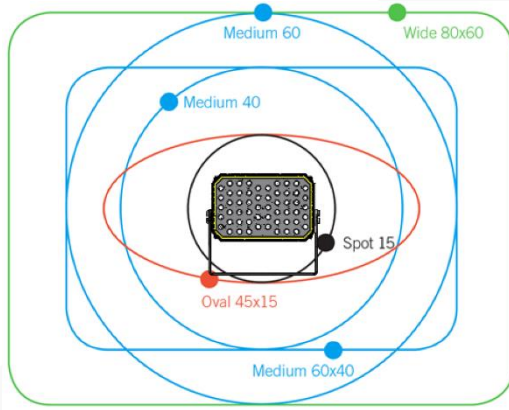
Explosion proof standards

IEC/EN 60079-0:2018 – Equipment General Requirements
 IEC/EN 60079-7:2015+A1:2018 – Equipment protection by increased safety “e”
 IEC/EN 60079-18:2015+A1:2017 – Equipment protection by type of protection “m”
 IEC/EN 60079-31:2014 – Equipment dust ignition protection by enclosure “t”

Options and Accessories

See Luminell.com for all available accessories

- 1002600 - Connection box gel kit
- 1002322 - Pole Mount bracket Ø30-Ø100
- 252 - Protection Guard Set
- 1002629 - Retrofit bracket 130, 160 to 225-260, 350-380, 435
- L0433 - Oil Damper Single Bracket Assembly



4x Ø6 are **NOT** for safety wire. Use only specified holes.

